



Cable Lugs and Connectors

Standard and special design for all application, based on Al, Cu or Al/Cu (Bimetallic) material, hexagonal or deep indented pressed, voltage less than 1 kV up to 36 kV.



- ▶ Bimetallic Cable Terminals
- ▶ Fast Aluminium Terminals
- ▶ Fast Heavy Duty Copper Tube Terminals

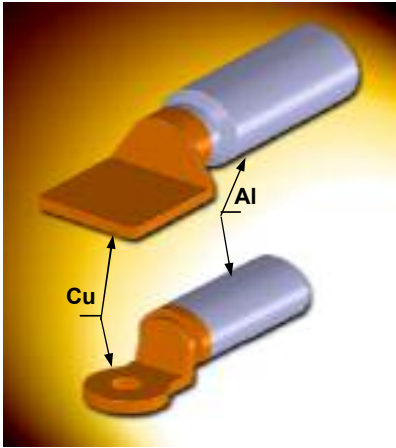


- ▶ Center Barrier Connectors
- ▶ U-Link in line Connectors

For best quality crimping result we recommend you to use proper Crimping tools



Bimetallic Cable Terminals



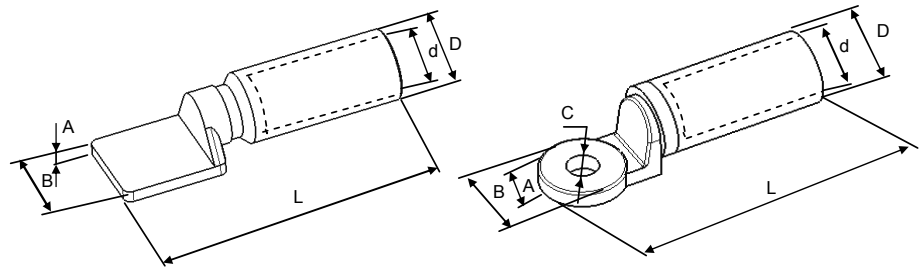
U - LUG Terminals

Manufactured from Solid Aluminium and Solid Copper, Barrel are Friction Welded, for Hexagon Die and Indent Die.
Copper : Cu 99,9%

Aluminium : AL 99,5%

All lugs are pre-filled with jointing compound, plugged and individually labelled

* All dimensions are based on French Standard : Standard De France HN 68-S-90 & TNB - Malaysia, other specification on request.



Part Number	Dimension (mm ²)					
	L	D	d	B	A	C
FAST U-Lug 16	85	16	5,5	20	4,0	11
FAST U-Lug 25	85	16	6,5	20	4,0	11
FAST U-Lug 35	85	16	8,5	20	4,0	11
FAST U-Lug 50	91	20	9,5	24	5,0	13
FAST U-Lug 70	91	20	11,0	24	5,0	13
FAST U-Lug 95	91	20	12,5	24	5,0	13
FAST U-Lug 120	117	25	15,0	30	6,2	13
FAST U-Lug 150	117	25	15,5	30	6,2	13
FAST U-Lug 185	125	32	19,5	35	7,3	13
FAST U-Lug 240	125	32	20,0	35	7,3	13
FAST U-Lug 300	160	40	23,3	36	8,3	17
FAST U-Lug 400	160	40	26,5	36	8,3	17
FAST U-Lug 500	200	47	29,3	60x60	10,0	BL*
FAST U-Lug 630	200	47	32,5	60x60	10,0	BL*
FAST U-Lug 800	260	58	37,5	80x80	10,0	BL*

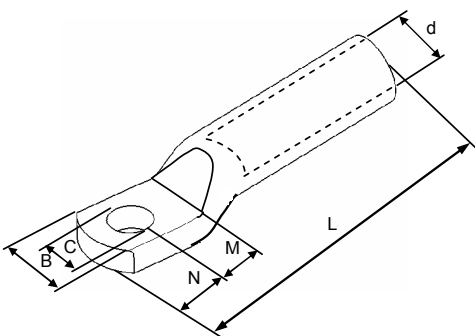
Dimension in mm

BL* = Blank Hole

Fast Aluminium Terminal



Al - LUG Terminals



Stud ϕ (mm)	Part Number	Dimensions					
		d	B	M	N	L	C
8	FAST Al 16-M 8	5,5	21,0	13,0	11,0	77,0	8,4
8	FAST Al 25-M 8	6,5	21,0	13,0	11,0	77,0	8,4
8	FAST Al 35-M 8	8,0	23,0	13,0	11,0	77,5	8,4
10	FAST Al 35-M 10	8,0	23,0	13,0	11,0	77,5	10,5
12	FAST Al 50-M 12	9,0	26,0	16,0	14,0	91,0	13,2
14	FAST Al 50-M 14	9,0	26,0	18,0	16,0	95,0	15,0
12	FAST Al 70-M 12	11,0	27,0	16,0	14,0	91,0	13,2
14	FAST Al 70-M 14	11,0	27,0	18,0	16,0	95,0	15,0
12	FAST Al 95-M 12	12,5	27,0	16,0	14,0	91,0	13,2
14	FAST Al 95-M 14	12,5	27,0	18,0	16,0	95,0	15,0
12	FAST Al 120-M 12	13,7	35,0	16,0	14,0	115,0	13,2
14	FAST Al 120-M 14	13,7	35,0	18,0	16,0	119,0	15,0
12	FAST Al 150-M 12	15,5	34,0	16,0	14,0	115,0	13,2
14	FAST Al 150-M 14	15,5	34,0	18,0	16,0	119,0	15,0
12	FAST Al 185-M 12	17,0	42,0	20,0	14,0	122,0	13,2
14	FAST Al 185-M 14	17,0	42,0	22,0	16,0	126,0	15,0
12	FAST Al 240-M 12	19,5	44,0	20,0	14,0	122,0	13,2
14	FAST Al 240-M 14	19,5	44,0	22,0	16,0	126,0	15,0
12	FAST Al 300-34-M 12	22,5	47,0	22,0	14,0	130,0	13,2

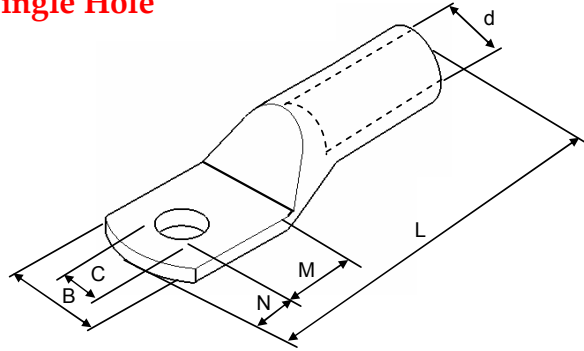
Dimension in mm

Al Terminals made from aluminium of a purity to or greater than 99,5%. Barrels are capped and filled with grease so as to avoid oxidation of the aluminium. They are designed to accept a variety of conductor form especially low stranded compacted conductors.

Fast Heavy Duty Copper Tube Terminal



Single Hole



Short Barrel (Single Hole)

Short Barrel

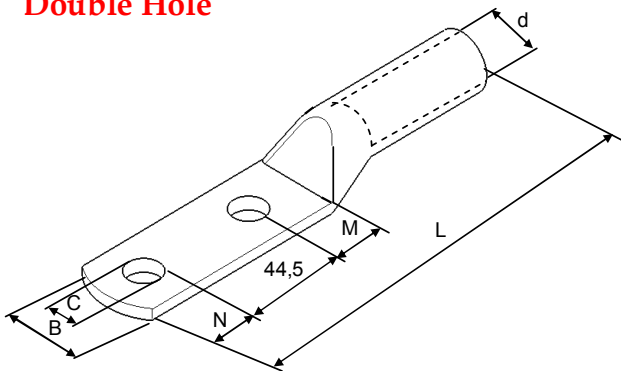
Design : Single hole (2,5 sqmm to 630 sqmm). Short barrel, without inspection hole.

Material : Deoxidized Phosphorous Copper Tube.

Finishing : Electrolytically Tin Plated.

Stud ϕ (mm)	Part Number	Dimensions					
		d	B	M	N	L	C
5	FAST Cu 2,5S-5	2,4	10,0	5,0	4,0	20,0	5,5
6	FAST Cu 6S-6	3,1	10,0	5,0	6,0	20,0	6,5
6	FAST Cu 16S-6	3,5	12,0	5,0	6,0	26,0	6,5
8	FAST Cu 10S-8	4,5	12,0	6,0	9,0	27,0	8,5
8	FAST Cu 16S-8	5,5	12,0	7,0	9,0	32,0	8,5
10	FAST Cu 25S-10	6,8	17,5	11,0	10,0	41,0	10,5
10	FAST Cu 35S-10	8,2	18,0	11,0	10,0	43,5	10,5
12	FAST Cu 50S-12	9,5	21,0	15,0	11,0	51,0	13,2
12	FAST Cu 70S-12	11,2	21,0	15,0	12,0	58,0	13,2
12	FAST Cu 95S-12	13,2	25,0	16,0	13,0	63,0	13,2
12	FAST Cu 120S-12	15,0	26,0	16,0	13,0	64,0	13,2
12	FAST Cu 150S-12	16,0	30,5	16,0	13,0	77,0	13,2
14	FAST Cu 185S-14	18,5	34,0	17,0	16,0	87,0	14,8
14	FAST Cu 240S-14	21,0	38,0	18,0	16,0	92,0	14,8
14	FAST Cu 300S-14	23,5	43,0	22,0	18,0	104,0	14,8
14	FAST Cu 400S-14	26,5	50,0	22,0	19,0	110,0	14,8
16	FAST Cu 500S-16	30,0	56,0	23,0	19,0	115,0	16,8
16	FAST Cu 630S-16	35,5	64,5	25,0	19,0	132,0	17,0

Double Hole



Long Barrel

Design : Single hole (35sqmm to 500sqmm) and double hole (50 sqmm to 500 sqmm). Long barrel without inspection hole.

Material : Deoxidized Phosphorous Copper Tube.

Finishing : Electrolytically Tin Plated.

Voltage : Application up to 36 kV.

Long Barrel (Single Hole)

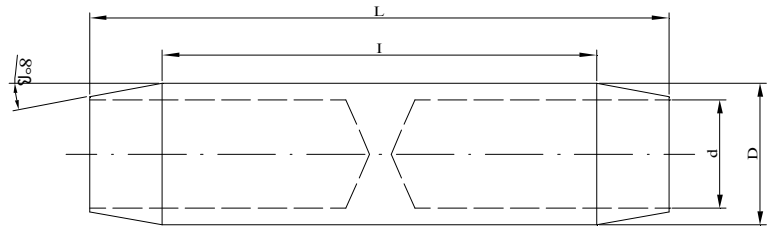
Stud ϕ (mm)	Part Number	Dimensions					
		d	B	M	N	L	C
12	FAST Cu 35 - 12	8,9	21,0	14,0	12,0	62,0	12,8
12	FAST Cu 50 - 12	9,5	21,0	14,0	12,0	68,0	12,8
12	FAST Cu 70 - 12	11,3	22,0	14,0	12,0	75,0	12,8
12	FAST Cu 95 - 12	13,5	25,0	14,0	12,0	85,5	12,8
12	FAST Cu 120 - 12	15,0	27,5	14,0	12,0	87,0	12,8
14	FAST Cu 150 - 14	16,5	30,0	18,0	16,0	102,0	14,8
14	FAST Cu 185 - 14	19,5	35,0	18,0	16,0	112,0	14,8
14	FAST Cu 240 - 14	21,1	39,0	18,0	16,0	112,0	14,8
14	FAST Cu 300 - 14	23,5	43,2	22,0	16,0	133,5	14,8
16	FAST Cu 400 - 16	26,8	49,8	24,0	19,0	140,0	16,8
16	FAST Cu 500 - 16	29,8	54,7	29,0	19,0	147,0	16,8

Long Barrel (Double Hole)

Stud ϕ (mm)	Part Number	Dimensions					
		d	B	M	N	L	C
12	FAST Cu 50 - 2M12	9,5	21,0	16,0	14,0	123,5	12,8
12	FAST Cu 70 - 2M12	11,3	22,0	16,0	14,0	127,7	12,8
12	FAST Cu 95 - 2M12	13,5	25,0	16,0	14,0	139,5	12,8
12	FAST Cu 120 - 2M12	15,0	27,5	14,0	12,0	139,5	12,8
14	FAST Cu 150 - 2M14	16,5	30,0	18,0	16,0	142,7	14,8
14	FAST Cu 185 - 2M14	19,5	35,0	18,0	16,0	157,5	14,8
14	FAST Cu 240 - 2M14	21,1	39,0	18,0	16,0	158,5	14,8
14	FAST Cu 300 - 2M14	23,5	43,2	22,0	16,0	178,1	14,8
16	FAST Cu 400 - 2M16	26,8	49,8	22,0	19,0	184,5	16,8
16	FAST Cu 500 - 2M16	29,8	54,7	22,0	19,0	185,5	16,8

Dimension in mm

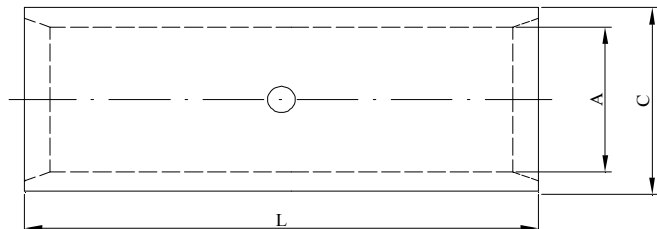
Center Barrier Connector



CB connectors are designed to joint conductors in high voltage application up to 33 kV. They are manufactured from high purity copper, annealed and tin plated. CB connectors feature a solid stop which forms a barrier between the two conductors being joined, this prevents the migration of oils or greases, which may be present, in one cable contaminating the other cable.

Part Number	Cable size mm ²	Dimensions			
		d	D	I	L
FAST CB-35	35	8,2	11,6	40	60
FAST CB-50	50	9,5	13	40	60
FAST CB 70	70	11	15	60	80
FAST CB 95	95	12	17,5	60	80
FAST CB 120	120	14	19,4	60	85
FAST CB 150	150	15,5	21,5	65	90
FAST CB 185	185	17	24	79	115
FAST CB 240	240	19,2	27	79	115
FAST CB 300	300	21,6	30,6	79	115
FAST CB 400	400	27	37	84	120
FAST CB 500	500	29	39	120	150
FAST CB 630	630	34	45	125	155

U-Link In-line Connector



U-Link in - line connectors are designed for jointing low voltage conductors. Made from Copper Conductivity 99,25% I.A.C.S and finish - Electro Tinned to BS 1872 (1984). They feature an internal taper at both ends to ease the introduction of the conductor and a central stop to ensure correct positioning.

Part Number	Cable Size mm ²	Dimensions (mm)		
		A	C	L
FAST U-Link 1,5	1,5	1,8	3,7	15
FAST U-Link 2,5	2,5	2,4	4	18
FAST U-Link 4	4	3,1	4,8	18
FAST U-Link 6	6	3,8	5,5	20
FAST U-Link 10	10	4,5	6,2	23
FAST U-Link 16	16	5,4	7,1	25
FAST U-Link 25	25	6,8	8,8	35
FAST U-Link 35	35	8,2	10,6	38
FAST U-Link 50	50	9,5	12,4	42
FAST U-Link 70	70	11,2	14,7	47
FAST U-Link 95	95	13,5	17,4	47
FAST U-Link 120	120	15	19,4	65
FAST U-Link 150	150	16,5	21,2	65
FAST U-Link 185	185	18,5	23,5	67
FAST U-Link 240	240	21	26,5	80
FAST U-Link 300	300	23,5	30	89
FAST U-Link 400	400	26,5	35	85
FAST U-Link 500	500	30	39	10
FAST U-Link 630	630	35	45	110

Dimension in mm

For any further information call :



PT. FASTINDO PIRANTI KABEL

Jl. Pegambiran Kav.292 A, Rawamangun - Jakarta 13220

Telp. +62-21-4753535 Fax. +62-21-4753505

E-mail: fastindo@fastindo.co.id Website : www.fastindo.co.id