

ELASTIC STRAIGHT THROUGH JOINT - EPJMe-1C

for single core polymeric cables
(integrated electrode)




APPLICATION

Utilisation

- jointing polymeric insulated cables of different specifications.
- conductor sizes equal or unequal, round or shaped.
- may be directly buried.
- jointing cables laid underground, in tunnels on horizontal racks, or aerial.

Cables

- single core polymeric insulation.
- copper or aluminium conductor.
- metallic screen of tape, wire or polylam type.
- semi-conducting screen either extruded or taped.
- insulation voltage up to 24 kV (U_m).
- conductor sizes : 25 to 1000 mm².
- non-armoured or armoured.

STANDARDS

Generally meets the requirements of C 33 001 - DIN 57 278
IEEE 404 - IEC 60502-4 - ENEL DJ 4853 - C 33 050-A1
CENELEC HD 629-1.

QUALITY ASSURANCE

The Company has been assessed by third party and found in conformity with the requirements of the standard ISO9001 - EN 29001.

PACKING

Supplied as a kit for one single core joint (P1) or three single core joints (P3) containing all the necessary components except the ferrules (supplied on request).

Shipping weight and volume (approx) of kit (P1).

- 12 kV	1.9 kg / 0.01 m ³
- 17.5 kV	2 kg / 0.01 m ³
- 24 kV	2.5 kg / 0.01 m ³

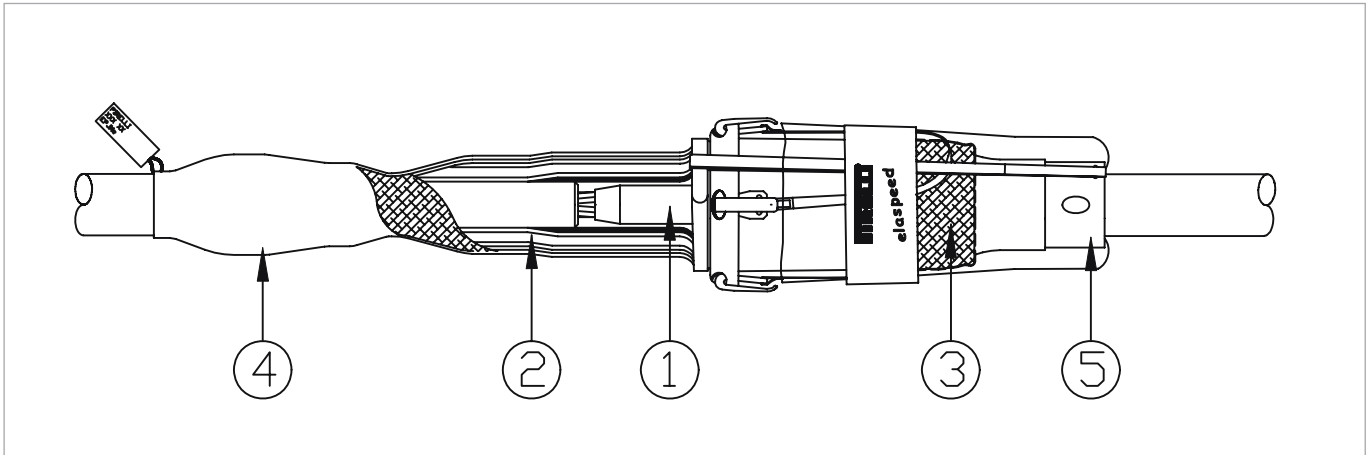
INSTALLATION FEATURES

- no need for special tools or heating.
- immediate energizing after completion of the joint.

OTHER PRODUCTS

- joint for 3/C polymeric cables RTJMe-3C, EIJMe-3C.
- transition joint between 3/C MIND paper insulated cables (radial or non radial) and 3 x 1/C polymeric cables EPJMt-1C/3C.
- joint for 1/C or 3/C MIND paper insulated cables.

ELASTIC STRAIGHT THROUGH JOINT - EPJMe-1C for single core polymeric cables (integrated electrode)



DESCRIPTION

- ① **Conductor ferrule**
Crimped, deep indented or bolted type.
Please consult us.
- ② **Joint body**
It maintains a permanent and uniform contact pressure on the cable insulation.
Extruded EPR rubber, electrically tested in factory after extrusion. It includes :
 - semi-conducting layer used like shielding electrode,
 - stress relief layer,
 - insulation layer,
 - outer semi-conducting layer.
 The outer semi-conducting layer ensures relief of electrical stress and connection to cable screens.
- ③ **Joint screen**
Tubular copper braid connected on cable screens.
- ④ **Elastic outer protection**
Ensures mechanical protection and watertightness of the joint.
- ⑤ **Self-eject carrier tube**
The whole joint (= components No. 2 + 3 + 4) is pre-loaded on a single self-eject carrier tube made of two parts.

SELECTION GUIDE

1. Select in the table below, the kit model corresponding to the insulation voltage U_m (in kV : 12 - 17.5 - 24), the diameter over insulation and over outer sheath :

VOLTAGE U_m	max OD sheath mm (*)	min OD insulation mm	max conductor size mm ² (for guidance only)	KIT REFERENCE
12 kV	34.0	17.2	70 - 120	EPJMe-1C-12-D
	38.0	19.0	95 - 150	EPJMe-1C-12-E
	48.0	23.1	185 - 300	EPJMe-1C-12-F
	50.0	24.4	240 - 400	EPJMe-1C-12-H
	57.0	27.8	300 - 500	EPJMe-1C-12-IP
	67.0	31.9	400 - 1000 (**)	EPJMe-1C-12-I
17.5 kV	34.0	17.2	70	EPJMe-1C-17-D
	38.0	19.0	70 - 120	EPJMe-1C-17-E
	48.0	23.1	150 - 240	EPJMe-1C-17-F
	50.0	24.4	185 - 300	EPJMe-1C-17-H
	57.0	27.8	240 - 500	EPJMe-1C-17-IP
	67.0	31.9	400 - 1000 (**)	EPJMe-1C-17-I
24 kV	34.0	17.2	25 - 50	EPJMe-1C-24-D
	38.0	19.0	50 - 95	EPJMe-1C-24-E
	48.0	23.1	95 - 240	EPJMe-1C-24-F
	50.0	24.4	120 - 300	EPJMe-1C-24-H
	57.0	27.8	185 - 400	EPJMe-1C-24-IP
	67.0	31.9	300 - 630	EPJMe-1C-24-I

(*) including screen continuity device (**) above 630 sqmm, please consult us.

2. Specify insulation voltage U_m in kV : 12 - 17 - 24.
3. Select the screen continuity device according to the type of metallic screen of cable :
T1 for polylam screen - T2 for tape screen - T3 for wire screen.
4. Select the packing one phase **P1** or three phases **P3**.

EXAMPLE OF ORDER

20 kV single core polymeric insulated cable, with wire screen, 1 x 150 sqmm, OD over insulation 26.0 mm, OD over outer sheath 39,0 mm, kit for one phase : **EPJMe-1C-24-F-T3-P1**

IMPORTANT : before using this product, you must check if it is suitable for your intended application. You assume all risks and liability associated with such use. If any doubt, please consult us.