

# COMPANY PROFILE



## **PT. FASTINDO PIRANTI KABEL**

Menara Kadin Lantai 9 unit A  
Jl. H.R. Rasuna Said Blok X-5 No.2-3, Kuningan  
Jakarta Selatan 12950 - Indonesia  
Website : [www.fastindo.co.id](http://www.fastindo.co.id)

## Company Data

**Name of Company** : PT. FASTINDO PIRANTI KABEL

**Address** : **Main office** :  
Menara Kadin Lantai 9 unit A  
Jl. H.R. Rasuna Said Blok X-5 No.2-3, Kuningan  
Jakarta Selatan 12950 - Indonesia  
**Factory** :  
SFB Jababeka Blok P – 3G  
Kawasan Industri Jababeka – Cikarang

**Phone** : (+62)(21) 29023680 (hunting)  
**Fax.** : (+62)(21) 29023681  
**Email** : fastindo@fastindo.co.id

**Website** : www.fastindo.co.id

**Founded**  
**Act of Attorney** : Adlan Yulizar, SH.  
**Date on** : August 4<sup>th</sup> 1992  
**Company Name** : Rellindo

**Changed**  
**Act of Attorney** : Netty Maria Machdar, SH.  
**Date on** : May 15<sup>th</sup> 2008

**Government Permits**  
S.I.U.P. : No. 03731/1.824.271  
T.D.P. : No. 09021609942

**Bank** : Bank Central Asia – Gajah Mada  
a/c No. : 012-3928994 (IDR)  
  
Bank Central Asia – Kayu Putih  
a/c No. : 631- 0203066 (IDR)  
  
Bank Mandiri – Rawamangun Pegambiran  
a/c No. : 006-0000222889 (IDR)

## Company Organization

<b>Chairmans</b>	: Kuntjung Tamara Ir. Tito Sanyoto, MBA Carin Lim
<b>Board of Directors</b>	: Satrya Anugrah Mahaperdana, MPA – President Director Wiwiek Sriwiyati - Finance Director Treasuri Tamara - Director
<b>Sales &amp; Marketing</b>	: Muhammad Iqbal - Manager
<b>Accounting &amp; Finance</b>	: Evi Hanna MS, SE - Manager
<b>HR/GA</b>	: Brigitta Anggraini- Manager
<b>Logistics</b>	: Farhan - Supervisor
<b>Technical</b>	: Deni Suryana– Koordinator Jointer Suyono – Kepala Teknik
<b>Purchasing</b>	: Romlah Fitriana - Supervisor

## Company Activities

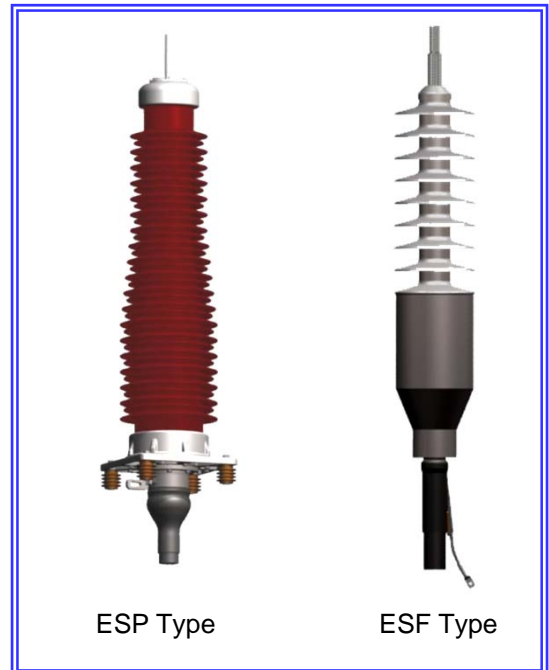
- A. Manufacturer** : Mostly cable accessories such HV/MV/LV Jointing and termination, Cable Preparation Tools, Tubing treeguard and lug – connector.
- B. Trading** : Sales and marketing of above products and other products represented by company for domestic area or even for export market business area.  
Fastindo products have been widely used by several different customer i.e. :  
Utility, Industry, High rise building, contractor and wholesales.
- C. Services** : Provide best customer services by helping them to select the right product needed, providing training session, Field supervision and direct installation by Fastindo professional jointer which will

be provide **5 years** guarantee.

## Products

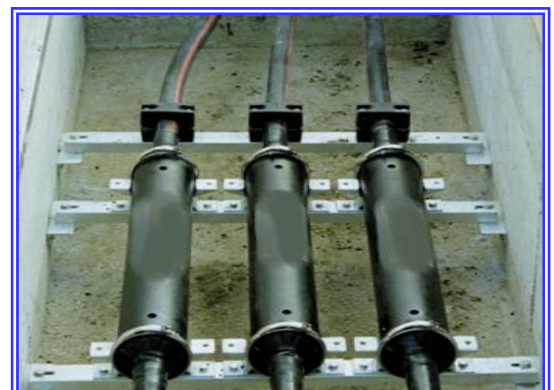
### A . HV Cable Termination

The termination can be supplied for XLPE and EPR insulated cables within voltage range 60 kV to 300 kV in all outdoor installations, and can be mounted on cables with copper or aluminium conductors 150 up to 2000 sqmm. Type of terminations are slip-on silicone components with porcelain insulator supporting properties (ESP), and Slip-on Flexible dry (ESF) termination (no liquid insulation).



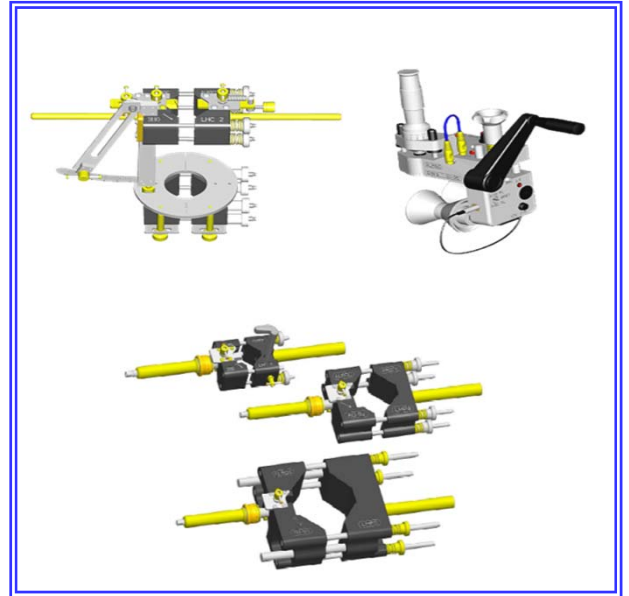
### B . HV Cable Jointing

MSA single piece joint is a prefabricated and pre-tested joint made out of silicone rubber. Single piece joint means that all the field control elements are integrated in one silicone sleeve. This enables the secure and efficient connection of two polymeric-insulated cables (XLPE, EPR) within voltage range from 60 kV to 300 kV. It can be used for connection of a copper and an aluminium conductors cable with size 150 up to 2000 sqmm. The proven slip-on technique ensures minimum installation time and maximum operation reliability. The tested and applied material complies with all electrical, mechanical and thermal requirements of the cables.



### C . HV Cable Preparation Tools

HV Cable preparation tools will supply for : remove of one semi-conductive and insulation part to a groove form, remove of cable jackets in variable thickness, remove semi-conductive insulation shield, insulation tapering or straight cutting on insulation cables, remove insulation from HTB cables.



### D . Hot Line Maintenance Tools (PDKB)

To support the electrical workers from the hazards of their job Fastindo can supply the complete source for personal electrical safety products that have qualified branded in the world. Fastindo offers the complete solution with :

*Personal Protective Equipment*, such as :

Insulating rubber gloves, blankets, line hose, plastic cover - up and dielectric boots.

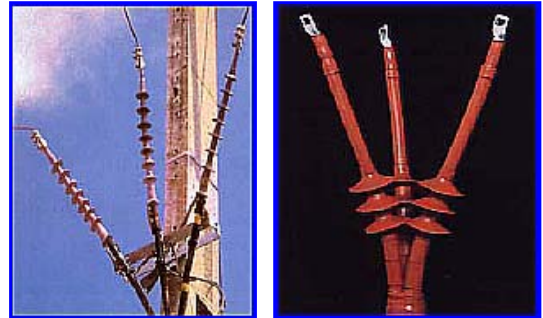
*Hot Line Maintenance Tools*, such as :

Engine driven pump unit and accessories, voltage detectors, clamp sticks, distribution dead-end insulators, and temporary grounding equipment.



**E . MV Cable Termination :**

Elastic slip-on and heatshrinkable technology, for outdoor and indoor application, single and multi core, voltage 1 up to 54 kV.



**F . MV Cable Jointing :**

Coldshrinkable and heatshrinkable technology, for straight – transition and trifurcating application, single and multi core, voltage 1 up to 36 kV.



**G . Separable Connector :**

Known as plug-in termination, rubber premoulded technology, elbow – straight or tee type, voltage 6 up to 36 kV.



**H . Treeguard :**

To protect overhead lines against tree, heatshrinkable with inner coated by water barrier mastic, voltage up to 36 kV.



**I . Busbar Insulation :**

Heatshrinkable technology, for rectangle or round busbar, medium or thick wall type, voltage up to 36 kV.



**J . Multi Purpose Tubing :**

Heatshrinkable technology, for many different application, coated or uncoated, voltage less than 1 kV up to 36 kV.



**K . Terminal Lug :**

Standard and special design for heavy duty application, based on Al, Cu or AL/Cu (Bimetallic) material, hexagonal or deep indented pressed, non or preinsulated type, voltage less than 1 kV up to 54 kV



**L . Cable Connector :**

Standard and special design for heavy duty application, based on Al, Cu or AL/Cu ( Bimetallic ) material, straight or barrier type, voltage less than 1 kV up to 54 kV, hexagonal or deep indented pressed.

**M . Cable Gland :**

Brass, Stainless steel, Aluminium or heavy duty plastic based material, for industrial, explosion proof, flame proof or increase safety rating application, to seal the cable or conduit inside the panel box.



**N . End Cap :**

Heatshrinkable technology, to seal the cable against water, humidity or dust on cable drum or during installation.



**O . Joints Tools :**

Hydraulic and mechanical crimping tool, cable cutter, insulation removal, semi conductive stripper and other complete joints tools.



**P . Grounding Material :**

Many size and type of rod, clamp, saddle, tinned copper braid, brackets, plates, etc.





## Services

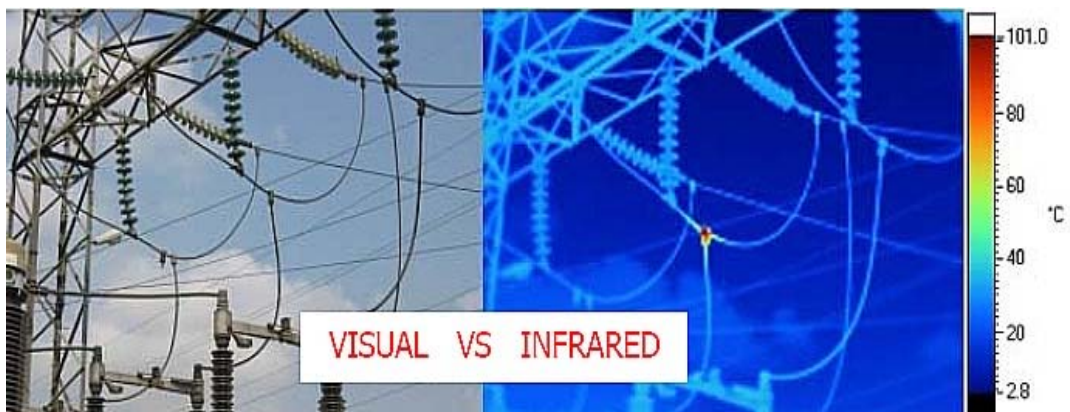
### Supervision & Installation

Field supervision and direct installation by Fastindo professional jointer which will be provide **5 years** guarantee.



### Infra Red Thermographic Imaging

Infra Red Thermographic Imaging can detect surface temperature for determine hot spots which can be predicted will caused a system failure.



## Business Partners

- **Prysmian Cables & System s.a - France**  
*Low-Medium Voltage Cable accessories up to 45 kV*
- **Cembre s.p.a – Italy**  
*Lug, Connector, and Hydraulic Tools*
- **Alroc SAS – France**  
*Cable Preparation Tools*
- **PFISTERER Ixosil - Switzerland**  
*High Voltage Cable Accessories*
- **Prysmian Cables Indonesia**  
*Low-Medium-High Voltage Cable Manufacturer*
- **Elpress – Sweden**  
*Lug, Connector, and Hydraulic Tools*
- **Izumi – Japan**  
*Engine-Hand Hydraulic Tools*
- **Druseidt GmbH – Germany**  
*Flexible Busbar Connection, Lug- Connector, and Hydraulic Tools*
- **Sumitomo Interconnect Products – Japan**  
*Heatshrinkable Busbar Insulation, Moulded Part and Multipurposes Tubing*
- **Hongshang Heatshrinkable Materials Co.Ltd – China**  
*Low-Medium Voltage Cable Accessories, Heatshrinkable Multipurposes Tubing and Moulded Part*
- **Liko Trade Centre – Singapore**  
*Cable Gland, Lug- Connector, Grounding System - Hardware and Multipurposes Heatshrinkable Tubing*
- **Jeffter Industrial Supply – Singapore**  
*Centralized Export-Import Warehouse and Forwarder*

## **Main Customers**

- **PT. PLN (Persero) all Distribution Network**
- **Vietnam electrical state own company, in North – Central – West distribution area**
- **AREVA T & D Indonesia**
- **GE Grid Solutions (previously Alstom Grid)**
- **CG Power Systems (previously Pauwels Trafo Asia)**
- **PT. PP (Persero) Tbk.**
- **MetaEpsi Engineering**
- **Schneider Indonesia**
- **Siemens Indonesia**
- **PT. ABB Sakti Industri**
- **Indocement Tunggal Prakasa**
- **Cikarang Listrindo**
- **Krakatau Daya Listrik**
- **Pertamina Plaju and Cilacap Refinery**
- **CNOOC Oil Company ( Maxuss )**
- **Indah Kiat Pulp and Paper**
- **Riau Andalan Pulp & Paper**
- **Sumberdaya Sewatama**
- **VATECH T & D Indonesia**
- **Cegelec Indonesia**
- **PT. Wijaya Karya (Persero) Tbk.**
- **Inti Karya Persada Tehnik**
- **Alcatel Enkomindo**
- **Ericsson Indonesia**
- **Supreme Cable Company**
- **GT Kabel Indonesia**
- **Prysmian Cables Indonesia**
- **INKA Madiun**
- **PT. Len Railway Systems (LRS)**
- **Haman Roko**
- **Star Delta**
- **Jo-Zelan Priamanaya**
- **Indonesia Electrical Contractors Association**
- **Etc.**