

**STRAIGHT THROUGH JOINT - CTJL**

Cast resin joint with transparent plastic casing

**castfit**<sup>®</sup>**APPLICATION****Utilisation**

- jointing cables of different specifications and/or conductor sizes.
- jointing cables laid underground, or in tunnels, on racks, or vertical (J0 to J4).
- may be directly buried or submerged.
- may be used in special environmental conditions such as oil industry or mining, with adaptations as necessary.

**Cables**

- stranded or solid conductors, of copper or aluminium.
- single or multi-core, including concentric neutral.
- polymeric insulation (PVC, XLPE, EPR) or paper insulation (MIND type).
- non-armoured or armoured with either tape or wire
- insulation voltage  $U_m$  1 kV.
- range of conductor sizes : 4 x 2.5 mm<sup>2</sup> to 4 x 300 mm<sup>2</sup>.

**STANDARDS**

Generally meets the requirements of C81 - HD 623 - C33-002 - CEI20/33.

**QUALITY ASSURANCE**

The Company has been assessed by third party and found in conformity with the requirements of the standard ISO9001 - EN 29001.

**PACKING**

Supplied as a kit for one joint containing all the necessary components except the ferrules (supplied on request).

See table for shipping weight and volume (approx.) of kit.

**INSTALLATION FEATURES**

- no need for special tools or heating.
- filling resin cures at ambient temperatures.
- energizing of cable may take place, on average, 30 minutes after filling.
- immediate energizing is also possible following special procedures.

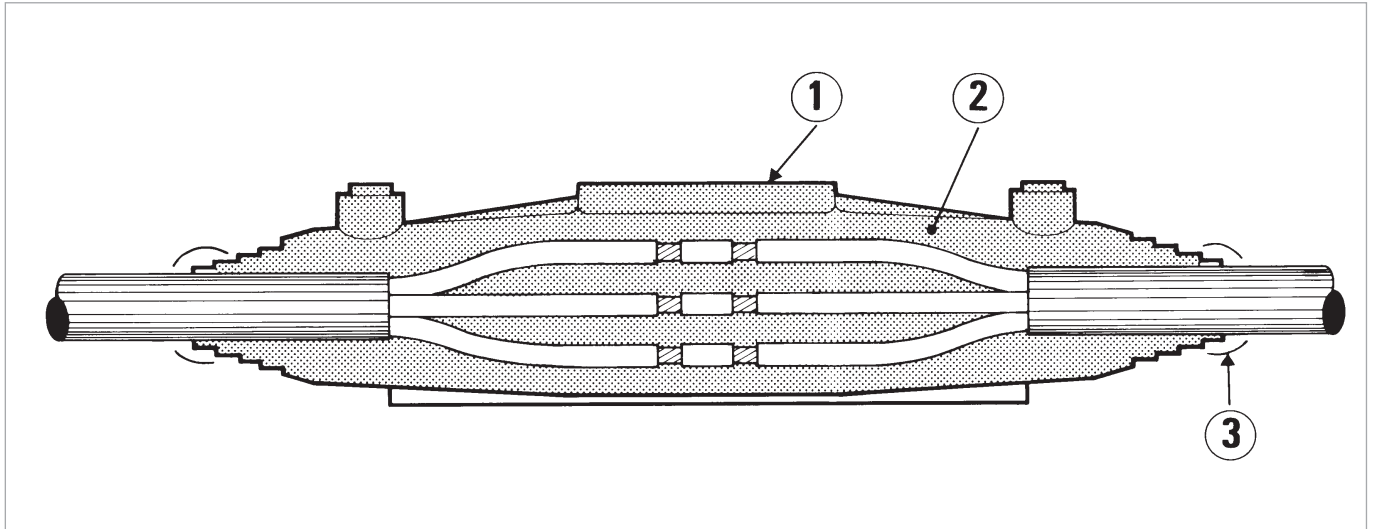
**OTHER APPLICATIONS**

- also suitable for telephone and signal cables with special resin.
- adaptation of J3, J4, J15 and J17 joints with EPR self-amalgamating tape for cables up to 6 kV (CTJM).

## STRAIGHT THROUGH JOINT - CTJL

Cast resin joint with transparent plastic casing

**castfit**<sup>®</sup>



### DESCRIPTION

① **Casing**

Casing is made of two shells of transparent thermoplastic material which are snapped together (J0 to J4) or fastened by slides (J15 and J17).

② **Insulating material**

Two-part synthetic resin, supplied in pre-dosed bags (J0 to J4) or in cans (J15 and J17).

③ **Sealing**

Self-amalgamating tape or putty.

### SELECTION GUIDE

1. Select the kit model from the table on the basis of diameters and sizes of cables to be jointed.
2. When armour bonding is required, add PA to the kit reference.

### EXAMPLE OF ORDER

**CTJL-J4-PA**

Dimensions mm	Kit model	Cable overall dia. mm		Maximum sizes of cables (for guidance only) mm <sup>2</sup>		Approx. shipping weight and volume of kit	
		Min.	Max.	non- armoured	armoured	kg	m <sup>3</sup>
	<b>J0</b>	8	18	4 x 6	4 x 4	0.40	0.0015
	<b>J1</b>	12	26	4 x 16	4 x 16	0.45	0.0025
	<b>J2</b>	14	32	4 x 25	4 x 25	0.75	0.0035
	<b>J3</b>	23	39	4 x 70	4 x 50	1.35	0.005
	<b>J4</b>	28	50	4 x 95	4 x 95	1.90	0.008
	<b>J15</b>	38	58	4 x 185	4 x 150	7.7	0.04
	<b>J17</b>	62	86	4 x 300	4 x 300	17.0	0.07