

INDOOR THREE CORE TERMINATION - ELTI-3C

for polymeric cables - Slip-on termination - Modular type

elasticfit

APPLICATION

Utilisation

- indoor.
- in boxes and compact switchgears.
- in terminal boxes located outdoor and subject to condensation.

Cables

- three core polymeric insulation (PE, XLPE, EPR...).
- copper or aluminium conductor.
- semi-conducting screen either extruded or taped.
- metallic screen of tape or wire type.
- non-armoured or armoured (either tape or wire type).
- insulation voltage up to 36 kV (U_m).
- conductor sizes : 25 to 400 mm².

STANDARDS

Generally meets the requirements of VDE 0278 - ANSI/IEEE 48 - C 33-001 - HD 629-1 - IEC 60502-4.

QUALITY ASSURANCE

The Company has been assessed by third party and found in conformity with the requirements of the standard ISO 9001 - EN 29001.

PACKING

Supplied as a kit containing all the necessary components, except the lugs (supplied on request).

Shipping weight and volume (approx) :

- 12 kV	1.8 kg / 0.007 m ³
- 17.5 kV	1.8 kg / 0.007 m ³
- 24 kV	1.8 kg / 0.007 m ³
- 36 kV	2.4 kg / 0.01 m ³

INSTALLATION FEATURES

- no need for special tools.
- vertical, angled or inverted position.
- energizing may take place immediately after completion of termination.
- the different voltage levels are achieved by varying the number of sheds.
- modular components slipped over the cable using a special lubricant.



OTHER PRODUCTS

- indoor elastic terminations (monobloc) for 1/C polymeric cables up to 24 kV ELTI-1C.
- indoor and outdoor elastic terminations (modular) for 1/C polymeric cables up to 36 kV ELTI-1C, ELTO-1C.
- outdoor elastic terminations (modular) for 3/C polymeric cables up to 36 kV, ELTO-3C.

INDOOR THREE CORE TERMINATION - ELTI-3C

for polymeric cables - Slip-on termination - Modular type



DESCRIPTION

- ① **Conductor lug**
Copper or aluminium. Crimped, deep indented or bolted type.
- ② **Insulation sheds**
Slip-on sheds moulded from non-tracking silicone rubber.
- ③ **Stress relief tube**
Moulded elastic slip-on component. Controls the distribution of the electrical field at the cable screen cutback.
- ④ **Sleeve**
Elastic slip-on tube made of non-tracking silicone rubber.
- ⑤ **Break-out**
Element providing watertight break-out of the three cores. Non-tracking.
- ⑥ **Earthing device**
Fitted as necessary, depending on cable design (T2 - T3) and on box or switchgear characteristics.

SELECTION GUIDE

1. Select in both tables below the kit model corresponding to the insulation voltage and to the conductor size.

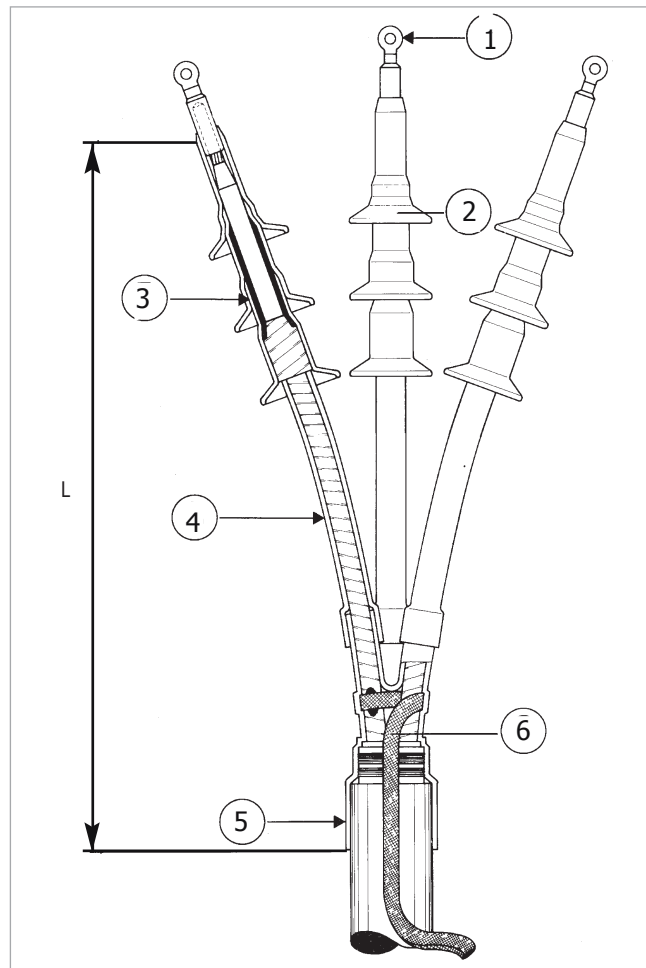
Nominal Area Cond. mm ² (*)	Kit reference			
	Highest Voltage U _m			
	12 kV	17.5 kV	24 kV	36 kV
25	ELTI-3C-12-A	ELTI-3C-17-B	ELTI-3C-24-B	ELTI-3C-36-C
35			ELTI-3C-24-C	
50	ELTI-3C-12-B	ELTI-3C-17-C	ELTI-3C-24-C	
70			ELTI-3C-24-C	
95	ELTI-3C-12-C	ELTI-3C-17-C	ELTI-3C-24-C	ELTI-3C-36-D
120				
150			ELTI-3C-24-D	
185			ELTI-3C-24-D	
240	ELTI-3C-12-D	ELTI-3C-17-D	ELTI-3C-24-D	
300				
400				

(*) for guidance only

RECOMMENDED DIMENSIONS FOR ELASTIC COMPONENTS

Model	Diameter Over Cable Insulation	
	Min in mm	Max. in mm
A	13	22
B	15.5	26
C	20	33
D	26	43

2. Select suitable earthing device :
T2 - for tape screen, T3 - for wire screen.



EXAMPLE OF ORDER

20 kV, three core, 3x185 sqmm, amoured, diameter over insulation 29 mm, tape screen : **ELTI-3C-24-C-T2**

OVERALL DIMENSIONS

Voltage U _m	12 kV	17.5 kV	24 kV	36 kV
L mm (approx.)	780	780	780	910

IMPORTANT : before using this product, you must check if it is suitable for your intended application. You assume all risks and liability associated with such use. If any doubt, please consult us.