

INDOOR SINGLE CORE TERMINATION - ELTI-1C

for polymeric cables - Slip-on termination - Modular type



APPLICATION

Utilisation

- indoor.
- in boxes and compact switchgears.
- in terminal boxes located outdoor and subject to condensation.

Cables

- single core polymeric insulation (PE, XLPE, EPR...).
- copper or aluminium conductor.
- semi-conducting screen either extruded or taped.
- metallic screen of tape, wire or polylam type
- non-armoured or armoured (either tape or wire type).
- insulation voltage up to 36 kV (U_m).
- conductor sizes : 25 to 1 600 mm²

STANDARDS

Generally meets the requirements of VDE 0278 - ANSI/IEEE 48 - C 33-001 - HD 629-1 - IEC 60502-4.

QUALITY ASSURANCE

The Company has been assessed by third party and found in conformity with the requirements of the standard ISO 9001 - EN 29001.

PACKING

Supplied as a kit of 3 single core terminations containing all the necessary components, except the lugs (supplied on request).

Shipping weight and volume (approx) :

- 12 kV	1.7 kg / 0.007 m ³
- 17.5 kV	1.7 kg / 0.007 m ³
- 24 kV	1.7 kg / 0.007 m ³
- 36 kV	2 kg / 0.01 m ³

INSTALLATION FEATURES

- no need for special tools, no heating or filling.
- vertical, angled or inverted position.
- energizing may take place immediately after completion of termination.
- the different voltage levels are achieved by varying the number of sheds.
- modular components slipped over the cable using a special lubricant.



OTHER PRODUCTS

- indoor elastic terminations (monobloc) for 1/C polymeric cables up to 24 kV ELTImb-1C.
- outdoor elastic termination (modular) for 1/C polymeric cables up to 36 kV ELTO-1C.
- indoor and outdoor elastic terminations (modular) for 3/C polymeric cables up to 36 kV ELTI-3C, ELTO-3C.

INDOOR SINGLE CORE TERMINATION - ELTI-1C

for polymeric cables - Slip-on termination - Modular type

DESCRIPTION

- ① **Conductor lug**
Copper or aluminium. Crimped, deep indented or bolted type.
- ② **Insulation sheds**
Slip-on sheds, moulded from non-tracking silicone rubber.
- ③ **Stress relief tube**
Moulded elastic slip-on component. Controls the distribution of the electrical field at the cable screen cutback.
- ④ **Earth cover**
Slip-on component, moulded from non-tracking silicone rubber. Ensures watertight protection of the earthing device.
- ⑤ **Earthing device**
Fitted as necessary, depending on cable design (T1-T2-T3) and on box or switchgear characteristics.

SELECTION GUIDE

1. Select in both tables below the kit model corresponding to the insulation voltage and to the conductor size.

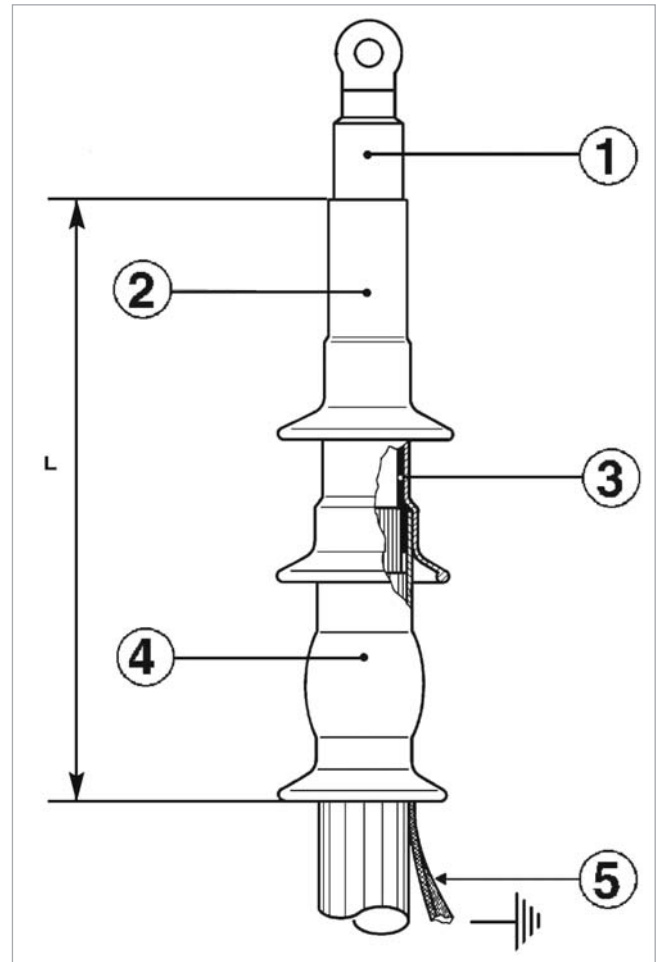
Conductor size in mm ² (*)	Kit reference				
	Highest Voltage U _m				
	12 kV	17.5 kV	24 kV	36 kV	
25	ELTI-1C-12-A	ELTI-1C-17-B	ELTI-1C-24-B	ELTI-1C-36-C	
35			ELTI-1C-24-C		
50	ELTI-1C-12-B	ELTI-1C-17-C	ELTI-1C-24-D		ELTI-1C-36-D
70			ELTI-1C-24-E		
95			ELTI-1C-24-F		
120	ELTI-1C-12-C	ELTI-1C-17-D	ELTI-1C-24-F		ELTI-1C-36-E
150			ELTI-1C-24-F		
185	ELTI-1C-12-D	ELTI-1C-17-E	ELTI-1C-24-F	ELTI-1C-36-F	
240			ELTI-1C-24-F		
300			ELTI-1C-24-F		
400	ELTI-1C-12-E	ELTI-1C-17-F	ELTI-1C-24-F	ELTI-1C-36-F	
500			ELTI-1C-24-F		
630	ELTI-1C-12-E	ELTI-1C-17-F	ELTI-1C-24-F	ELTI-1C-36-F	
800			ELTI-1C-24-F		
1000			ELTI-1C-24-F		
1300	ELTI-1C-12-E	ELTI-1C-17-F	ELTI-1C-24-F	ELTI-1C-36-F	
1600			ELTI-1C-24-F		

(*) for guidance only

RECOMMENDED DIMENSIONS FOR ELASTIC COMPONENTS

Model	Diameter Over Cable Insulation	
	Min. in mm	Max. in mm
A	13	22
B	15.5	26
C	20	33
D	26	43
E	36	61
F	49.5	80

IMPORTANT : before using this product, you must check if it is suitable for your intended application. You assume all risks and liability associated with such use. If any doubt, please consult us.



2. Select suitable earthing device in the table below.

Earthing Device Reference	Type of Metallic Screen of cable
T1	polylam
T2	copper tapes
T3	copper wires

EXAMPLE OF ORDER

20 kV single core, 1x95 sqmm, insulation diameter 23.5 mm, copper wire screen : **ELTI-1C-24-C-T3**

OVERALL DIMENSIONS

Voltage U _m	12 kV	17.5 kV	24 kV	36 kV
L mm (approx.)	320	320	320	450