

INDOOR SINGLE CORE TERMINATION - ELTI-1C

for polymeric cables - Slip-on termination - Modular type

elasticfit**APPLICATION****Utilisation**

- indoor.
- in boxes and compact switchgears.
- in terminal boxes located outdoor and subject to condensation.

Cables

- single core polymeric insulation (PE, XLPE, EPR...).
- copper or aluminium conductor.
- semi-conducting screen either extruded or taped.
- metallic screen of tape, wire or polylam type
- non-armoured or armoured (either tape or wire type).
- insulation voltage up to 36 kV (U_m).
- conductor sizes : 25 to 1 600 mm²

STANDARDS

Generally meets the requirements of VDE 0278 - ANSI/IEEE 48 - C 33-001 - HD 629-1 - IEC 60502-4.

QUALITY ASSURANCE

The Company has been assessed by third party and found in conformity with the requirements of the standard ISO 9001 - EN 29001.

PACKING

Supplied as a kit of 3 single core terminations containing all the necessary components, except the lugs (supplied on request).

Shipping weight and volume (approx) :

- 12 kV	1.7 kg / 0.007 m ³
- 17.5 kV	1.7 kg / 0.007 m ³
- 24 kV	1.7 kg / 0.007 m ³
- 36 kV	2 kg / 0.01 m ³

INSTALLATION FEATURES

- no need for special tools, no heating or filling.
- vertical, angled or inverted position.
- energizing may take place immediately after completion of termination.
- the different voltage levels are achieved by varying the number of sheds.
- modular components slipped over the cable using a special lubricant.

**OTHER PRODUCTS**

- indoor elastic terminations (monobloc) for 1/C polymeric cables up to 24 kV ELTImb-1C.
- outdoor elastic termination (modular) for 1/C polymeric cables up to 36 kV ELTO-1C.
- indoor and outdoor elastic terminations (modular) for 3/C polymeric cables up to 36 kV ELTI-3C, ELTO-3C.

INDOOR SINGLE CORE TERMINATION - ELTI-1C

for polymeric cables - Slip-on termination - Modular type



DESCRIPTION

- ① **Conductor lug**
Copper or aluminium. Crimped, deep indented or bolted type.
- ② **Insulation sheds**
Slip-on sheds, moulded from non-tracking silicone rubber.
- ③ **Stress relief tube**
Moulded elastic slip-on component. Controls the distribution of the electrical field at the cable screen cutback.
- ④ **Earth cover**
Slip-on component, moulded from non-tracking silicone rubber. Ensures watertight protection of the earthing device.
- ⑤ **Earthing device**
Fitted as necessary, depending on cable design (T1-T2-T3) and on box or switchgear characteristics.

SELECTION GUIDE

1. Select in both tables below the kit model corresponding to the insulation voltage and to the conductor size.

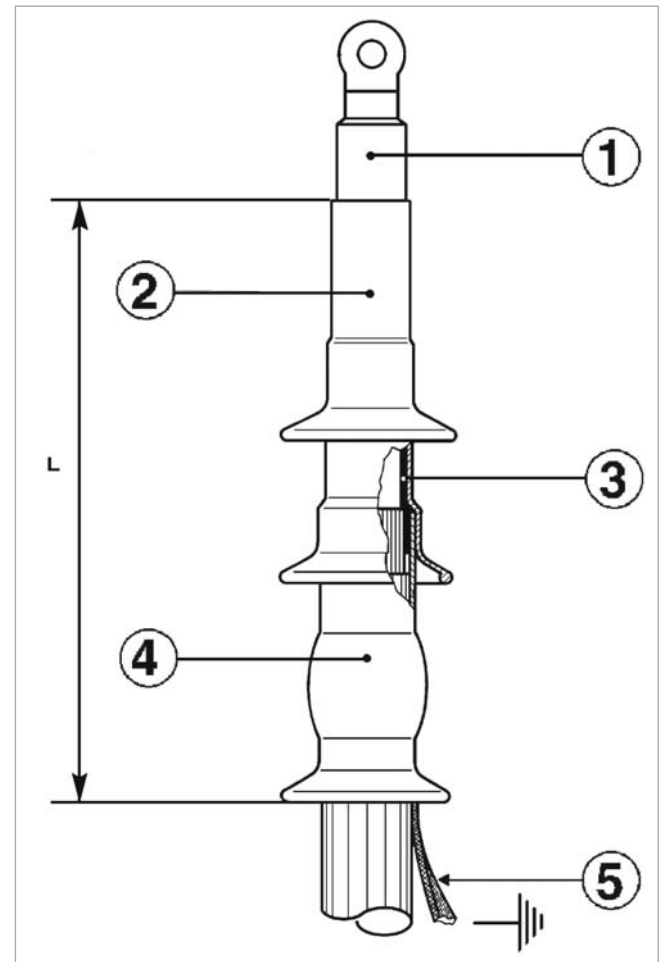
Conductor size in mm ² (*)	Kit reference			
	Highest Voltage U_m			
	12 kV	17.5 kV	24 kV	36 kV
25	ELTI-1C-12-A	ELTI-1C-17-B	ELTI-1C-24-B	ELTI-1C-36-C
35	ELTI-1C-12-B		ELTI-1C-24-C	
50				
70				
95	ELTI-1C-12-C	ELTI-1C-17-C	ELTI-1C-24-D	ELTI-1C-36-D
120				
150				
185				
240	ELTI-1C-12-D	ELTI-1C-17-D	ELTI-1C-24-E	ELTI-1C-36-E
300				
400				
500				
630	ELTI-1C-12-E	ELTI-1C-17-E	ELTI-1C-24-F	ELTI-1C-36-F
800				
1000				
1300	ELTI-1C-17-F			
1600				

(*) for guidance only

RECOMMENDED DIMENSIONS FOR ELASTIC COMPONENTS

Model	Diameter Over Cable Insulation	
	Min. in mm	Max. in mm
A	13	22
B	15.5	26
C	20	33
D	26	43
E	36	61
F	49.5	80

IMPORTANT : before using this product, you must check if it is suitable for your intended application. You assume all risks and liability associated with such use. If any doubt, please consult us.



2. Select suitable earthing device in the table below.

Earthing Device Reference	Type of Metallic Screen of cable
T1	polylam
T2	copper tapes
T3	copper wires

EXAMPLE OF ORDER

20 kV single core, 1x95 sqmm, insulation diameter 23.5 mm, copper wire screen : **ELTI-1C-24-C-T3**

OVERALL DIMENSIONS

Voltage U_m	12 kV	17.5 kV	24 kV	36 kV
L mm (approx.)	320	320	320	450

INDOOR THREE CORE TERMINATION - ELTI-3C

for polymeric cables - Slip-on termination - Modular type

elasticfit

APPLICATION

Utilisation

- indoor.
- in boxes and compact switchgears.
- in terminal boxes located outdoor and subject to condensation.

Cables

- three core polymeric insulation (PE, XLPE, EPR...).
- copper or aluminium conductor.
- semi-conducting screen either extruded or taped.
- metallic screen of tape or wire type.
- non-armoured or armoured (either tape or wire type).
- insulation voltage up to 36 kV (U_m).
- conductor sizes : 25 to 400 mm².

STANDARDS

Generally meets the requirements of VDE 0278 - ANSI/IEEE 48 - C 33-001 - HD 629-1 - IEC 60502-4.

QUALITY ASSURANCE

The Company has been assessed by third party and found in conformity with the requirements of the standard ISO 9001 - EN 29001.

PACKING

Supplied as a kit containing all the necessary components, except the lugs (supplied on request).

Shipping weight and volume (approx) :

- 12 kV	1.8 kg / 0.007 m ³
- 17.5 kV	1.8 kg / 0.007 m ³
- 24 kV	1.8 kg / 0.007 m ³
- 36 kV	2.4 kg / 0.01 m ³

INSTALLATION FEATURES

- no need for special tools.
- vertical, angled or inverted position.
- energizing may take place immediately after completion of termination.
- the different voltage levels are achieved by varying the number of sheds.
- modular components slipped over the cable using a special lubricant.



OTHER PRODUCTS

- indoor elastic terminations (monobloc) for 1/C polymeric cables up to 24 kV ELTI_m-1C.
- indoor and outdoor elastic terminations (modular) for 1/C polymeric cables up to 36 kV ELTI-1C, ELTO-1C.
- outdoor elastic terminations (modular) for 3/C polymeric cables up to 36 kV, ELTO-3C.

INDOOR THREE CORE TERMINATION - ELTI-3C
for polymeric cables - Slip-on termination - Modular type



DESCRIPTION

- ① **Conductor lug**
Copper or aluminium. Crimped, deep indented or bolted type.
- ② **Insulation sheds**
Slip-on sheds moulded from non-tracking silicone rubber.
- ③ **Stress relief tube**
Moulded elastic slip-on component. Controls the distribution of the electrical field at the cable screen cutback.
- ④ **Sleeve**
Elastic slip-on tube made of non-tracking silicone rubber.
- ⑤ **Break-out**
Element providing watertight break-out of the three cores. Non-tracking.
- ⑥ **Earthing device**
Fitted as necessary, depending on cable design (T2 - T3) and on box or switchgear characteristics.

SELECTION GUIDE

1. Select in both tables below the kit model corresponding to the insulation voltage and to the conductor size.

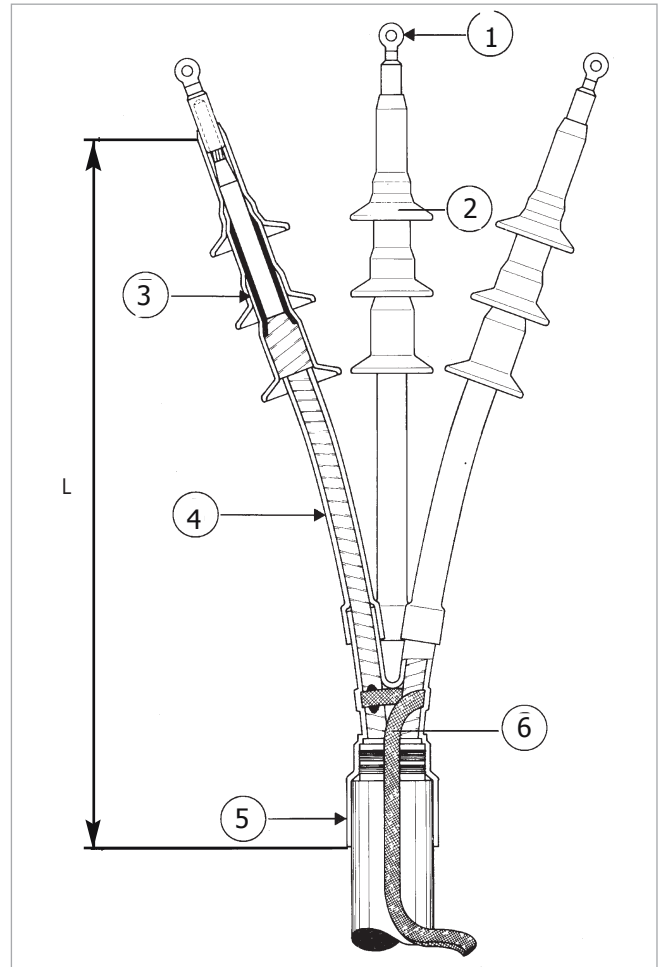
Nominal Area Cond. mm ² (*)	Kit reference			
	Highest Voltage U _m			
	12 kV	17.5 kV	24 kV	36 kV
25	ELTI-3C-12-A	ELTI-3C-17-B	ELTI-3C-24-B	ELTI-3C-36-C
35			ELTI-3C-24-C	
50	ELTI-3C-12-B	ELTI-3C-17-C	ELTI-3C-24-C	
70			ELTI-3C-24-D	
95	ELTI-3C-12-C	ELTI-3C-17-D	ELTI-3C-24-D	ELTI-3C-36-D
120				
150				
185				
240	ELTI-3C-12-D	ELTI-3C-17-D		
300				
400				

(*) for guidance only

RECOMMENDED DIMENSIONS FOR ELASTIC COMPONENTS

Model	Diameter Over Cable Insulation	
	Min in mm	Max. in mm
A	13	22
B	15.5	26
C	20	33
D	26	43

2. Select suitable earthing device :
T2 - for tape screen, T3 - for wire screen.



EXAMPLE OF ORDER

20 kV, three core, 3x185 sqmm, amoured, diameter over insulation 29 mm, tape screen : **ELTI-3C-24-C-T2**

OVERALL DIMENSIONS

Voltage U _m	12 kV	17.5 kV	24 kV	36 kV
L mm (approx.)	780	780	780	910

IMPORTANT : before using this product, you must check if it is suitable for your intended application. You assume all risks and liability associated with such use. If any doubt, please consult us.

OUTDOOR SINGLE CORE TERMINATION - ELTO-1C

for polymeric cables - Slip-on termination - Modular type



APPLICATION

Utilisation

- outdoor, subject to severe climatic conditions, solar radiation and pollution.
- terminating cables onto overhead lines or busbars.

Cables

- single core polymeric insulation (PE, XLPE, EPR...).
- copper or aluminium conductor.
- semi-conducting screen either extruded or taped.
- metallic screen of tape, wire or polylam type
- non-armoured or armoured (either tape or wire type).
- insulation voltage up to 36 kV (U_m).
- conductor sizes : 25 to 1 600 mm².

STANDARDS

Generally meets the requirements of VDE 0278 - ANSI/IEEE 48 - C 33-001 - HD 629-1 - IEC 60502-4.

QUALITY ASSURANCE

The Company has been assessed by third party and found in conformity with the requirements of the standard ISO 9001 - EN 29001.

PACKING

Supplied as a kit of 3 single core terminations containing all the necessary components, except the lugs (supplied on request).

Shipping weight and volume (approx) :

- 12 kV	1.7 kg / 0.007 m ³
- 17.5 kV	2 kg / 0.01 m ³
- 24 kV	2.2 kg / 0.01 m ³
- 36 kV	2.7 kg / 0.012 m ³

INSTALLATION FEATURES

- no need for special tools, no heating or filling.
- vertical, angled or inverted position.
- energizing may take place immediately after completion of termination.
- the different voltage levels are achieved by varying the number of sheds.
- modular components slipped over the cable using a special lubricant.



OTHER PRODUCTS

- indoor and outdoor elastic terminations (modular) for 3/C polymeric cables up to 36 kV ELTI-3C, ELTO-3C.
- indoor elastic terminations (modular) for 1/C polymeric cables up to 36 kV ELTI-1C.
- indoor elastic terminations (monobloc) for 1/C polymeric cables up to 24 kV ELTI_m-1C.

OUTDOOR SINGLE CORE TERMINATION - ELTO-1C

for polymeric cables - Slip-on termination - Modular type



DESCRIPTION

- ① **Conductor lug**
Copper or aluminium. Crimped, deep indented or bolted type.
- ② **Insulation sheds**
Slip-on sheds moulded from non-tracking silicone silicone rubber.
For one voltage level, the number of sheds used will depend on climatic conditions (i.e. pollution, etc.).
- ③ **Stress relief tube**
Moulded elastic slip-on component. Controls the distribution of the electrical field at cable screen cutback.
- ④ **Earth cover**
Slip-on component, moulded from non-tracking silicone rubber, ensures watertight protection of the earthing device.
- ⑤ **Earthing device**
Fitted as necessary, depending on cable design (T1-T2-T3).

SELECTION GUIDE

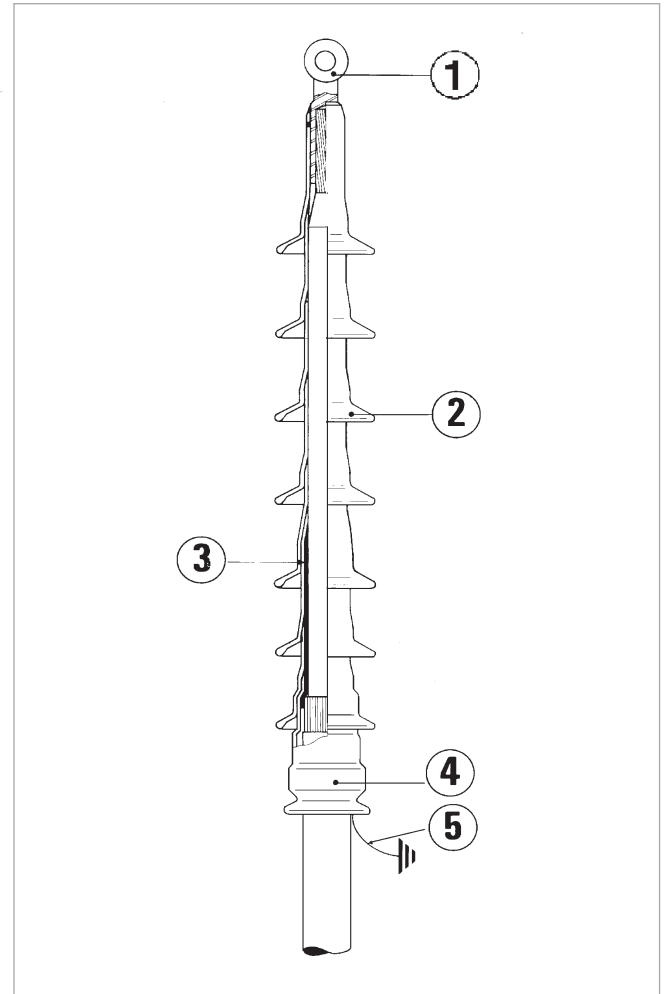
1. Select both tables below the kit model corresponding to the insulation voltage and to the conductor size.

Conductor size in mm ² (*)	Kit reference			
	Highest Voltage U _m			
	12 kV	17.5 kV	24 kV	36 kV
25	ELTO-1C-12-A	ELTO-1C-17-B	ELTO-1C-24-B	ELTO-1C-36-C
35			ELTO-1C-24-C	
50	ELTO-1C-12-B	ELTO-1C-17-C	ELTO-1C-24-D	ELTO-1C-36-D
70				
95	ELTO-1C-12-C	ELTO-1C-17-D	ELTO-1C-24-E	ELTO-1C-36-E
120				
150	ELTO-1C-12-D	ELTO-1C-17-E	ELTO-1C-24-F	ELTO-1C-36-F
185				
240	ELTO-1C-12-E	ELTO-1C-17-F		
300				
400				
500				
630				
800				
1000				
1300				
1600				

(*) for guidance only

RECOMMENDED DIMENSIONS FOR ELASTIC COMPONENTS

Model	Diameter Over Cable Insulation	
	Min. in mm	Max. in mm
A	13	22
B	15.5	26
C	20	33
D	26	43
E	36	61
F	49.5	80



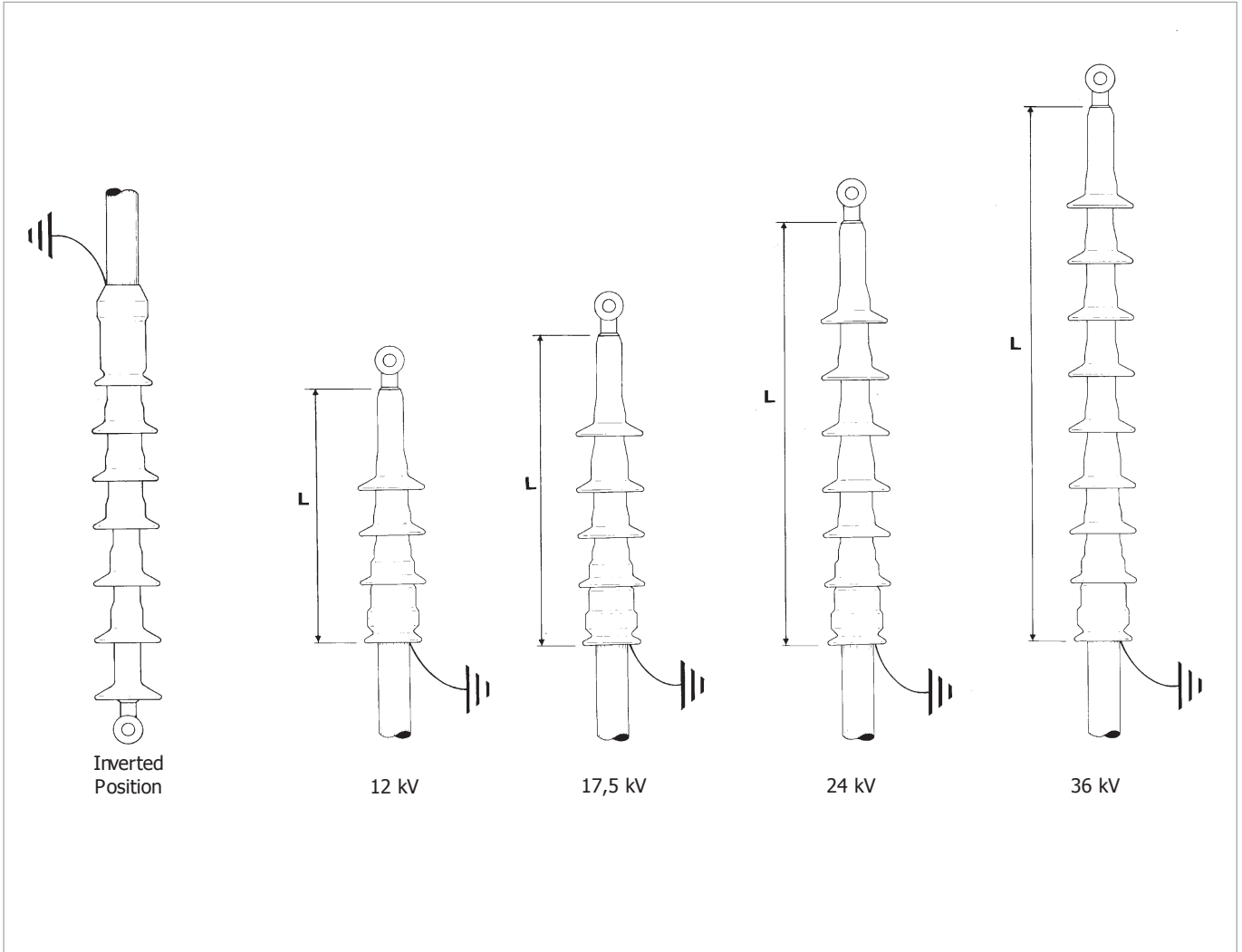
2. Select suitable earthing device in the table below.

Earthing Device Reference	Type of Metallic Screen of cable
T1	polylam
T2	copper tapes
T3	copper wires

EXAMPLE OF ORDER

20 kV single core, 1x95 sqmm, diameter over insulation 23.5 mm, copper wire screen : **ELTO-1C-24-C-T3**

OUTDOOR SINGLE CORE TERMINATION - ELTO-1C
for polymeric cables - Slip-on termination - Modular type



OVERALL DIMENSIONS

Voltage U_m	12 kV	17.5 kV	24 kV	36 kV
Creepage distance	240 mm	350 mm	580 mm	800 mm
L mm (approx.)	350 mm	420 mm	540 mm	700 mm

IMPORTANT : before using this product, you must check if it is suitable for your intended application. You assume all risks and liability associated with such use. If any doubt, please consult us.

OUTDOOR THREE CORE TERMINATION - ELTO-3C

for polymeric cables - Slip-on termination - Modular type

elasticfit

APPLICATION

Utilisation

- outdoor, subject to severe climatic conditions, solar radiation and pollution.
- terminating cables onto overhead lines or busbars.

Cables

- three core polymeric insulation (PE, XLPE, EPR...).
- copper or aluminium conductors.
- semi-conducting screen either extruded or taped.
- metallic screen of tape or wire type.
- non-armoured or armoured (either tape or wire type)
- insulation voltage up to 36 kV (U_m).
- conductor sizes : 25 to 400 mm².

STANDARDS

Generally meets the requirements of VDE 0278 - ANSI/IEEE 48 - C 33-001 - HD629-1 - IEC 60502-4.

QUALITY ASSURANCE

The Company has been assessed by third party and found in conformity with the requirements of the standard ISO 9001 - EN 29001.

PACKING

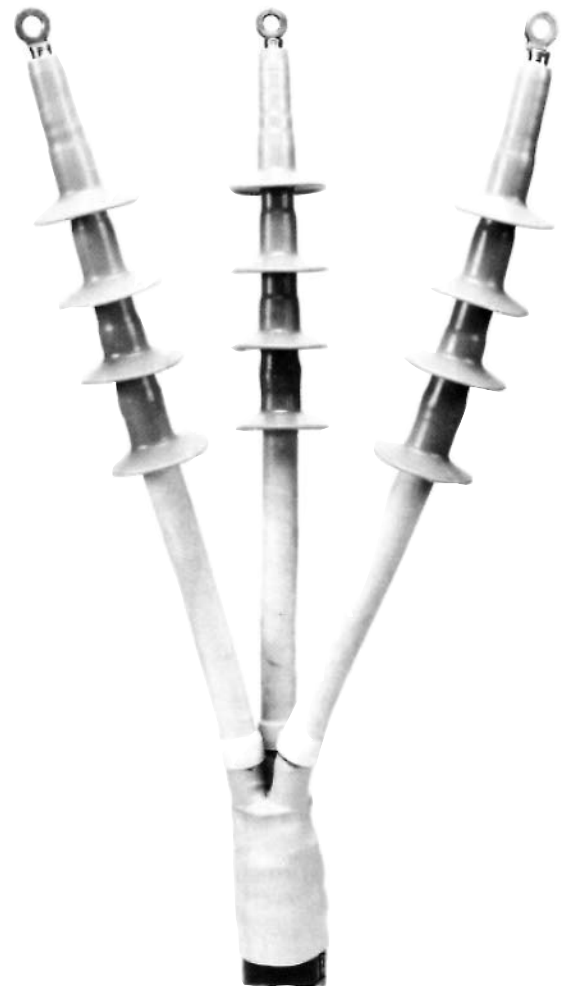
Supplied as a kit containing all the necessary components, except the lugs (supplied on request).

Shipping weight and volume (approx) of kit :

- 12 kV	2.0 kg / 0.007 m ³
- 17.5 kV	2.4 kg / 0.01 m ³
- 24 kV	2.7 kg / 0.01 m ³
- 36 kV	3.3 kg / 0.012 m ³

INSTALLATION FEATURES

- no need for special tools.
- vertical, angled or inverted position.
- energizing may take place immediately after completion of termination.
- the different voltage levels are achieved by varying the number of sheds.
- modular components slipped over the cable using a special lubricant.



OTHER PRODUCTS

- indoor elastic terminations (monobloc) for 1/C polymeric cable up to 24 kV ELTI-1C.
- indoor elastic terminations (modular) for 3/C polymeric cables up to 36 kV ELTI-3C.
- indoor and outdoor elastic terminations (modular) for 1/C polymeric cables up to 36 kV ELTI-1C, ELTO-1C.

OUTDOOR THREE CORE TERMINATION - ELTO-3C

for polymeric cables - Slip-on termination - Modular type



DESCRIPTION

- ① **Conductor lug**
Copper or aluminium. Crimped, deep indented or bolted type.
- ② **Insulation sheds**
Slip-on sheds moulded from non-tracking silicone rubber.
- ③ **Stress relief tube**
Moulded elastic slip-on component. Controls the distribution of the electrical field at the cable screen cutback.
- ④ **Sleeve**
Elastic slip-on tube made of non-tracking silicone rubber.
- ⑤ **Break-out**
Element providing watertight break-out of the three cores. Non-tracking.
- ⑥ **Earthing device**
Fitted as necessary, depending on cable design (T2-T3).

SELECTION GUIDE

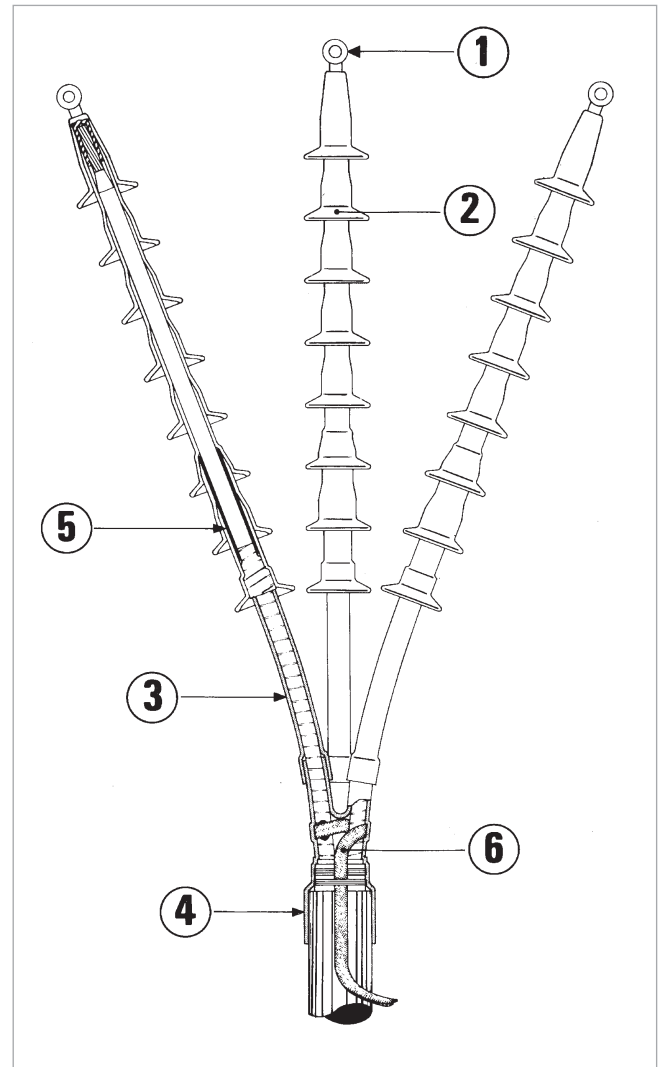
1. Select in the table opposite the kit model corresponding to the insulation voltage and to the conductor size.

Conductor size in mm ² (*)	Kit reference			
	Highest Voltage U _m			
	12 kV	17.5 kV	24 kV	36 kV
25	ELTO-3C-12-A	ELTO-3C-17-B	ELTO-3C-24-B	ELTO-3C-36-C
35				
50	ELTO-3C-12-B		ELTO-3C-24-C	
70				
95	ELTO-3C-12-C	ELTO-3C-17-C	ELTO-3C-24-C	ELTO-3C-36-D
120				
150		ELTO-3C-17-D	ELTO-3C-24-D	
185				
240	ELTO-3C-12-D	ELTO-3C-17-D	ELTO-3C-24-D	
300				
400				

(*) for guidance only

RECOMMENDED DIMENSIONS FOR ELASTIC COMPONENTS

Model	Diameter Over Cable Insulation	
	mm Min	mm Max
A	13	22
B	15.5	26
C	20	33
D	26	43



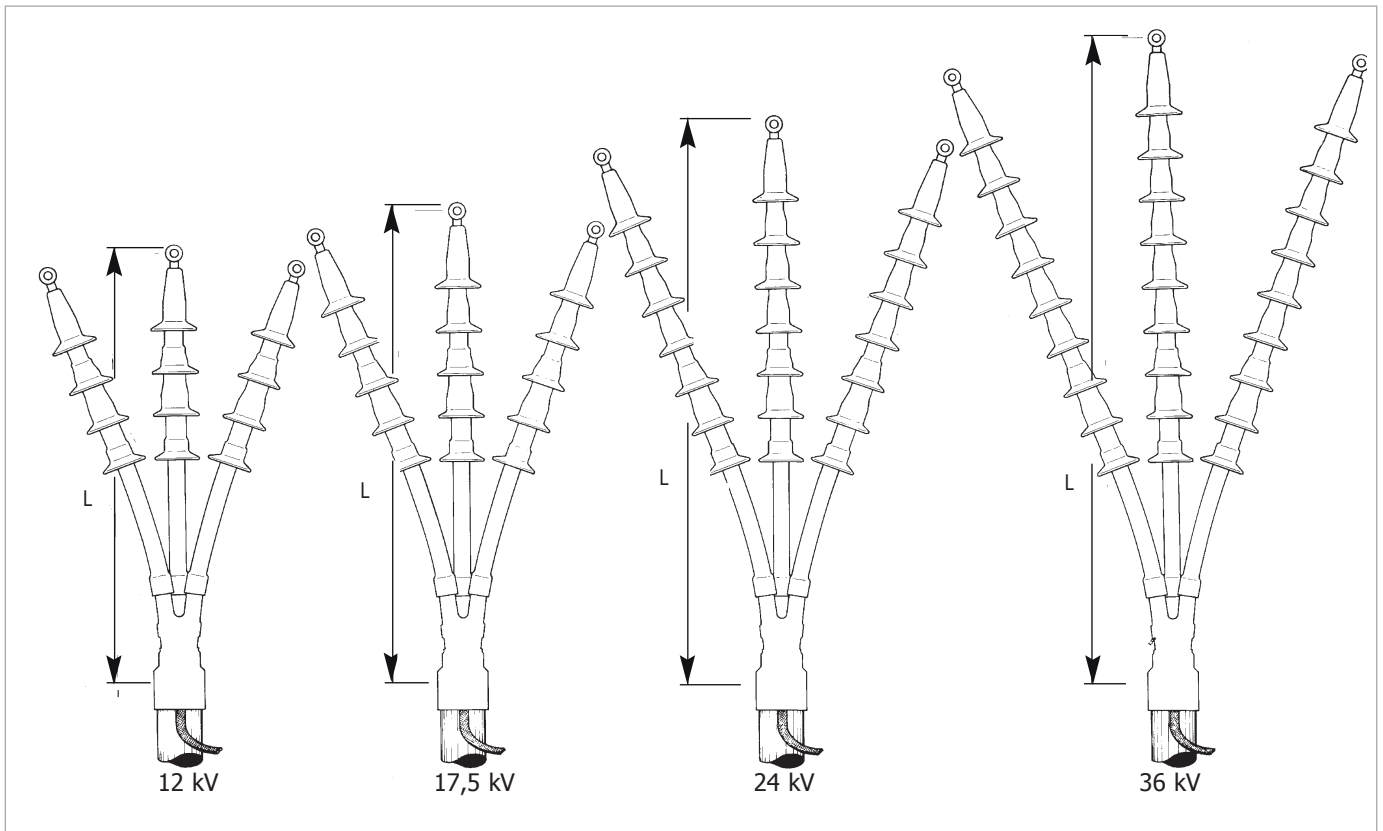
2. Select suitable earthing device :

Earthing Device Reference	Type of Metallic Screen of cable
T1	polylam
T2	copper tapes
T3	copper wires

EXAMPLE OF ORDER

20 kV, three core, 3x185 sqmm, amoured, diameter over insulation 29 mm, tape screen : **ELTO-3C-24-C-T2**

OUTDOOR THREE CORE TERMINATION - ELTO-3C
for polymeric cables - Slip-on termination - Modular type



OVERALL DIMENSIONS

Voltage U_m	12 kV	17.5 kV	24 kV	36 kV
Creepage distance	240 mm	350 mm	580 mm	800 mm
L mm (approx.)	730 mm	800 mm	930 mm	1 060 mm

IMPORTANT : before using this product, you must check if it is suitable for your intended application. You assume all risks and liability associated with such use. If any doubt, please consult us.